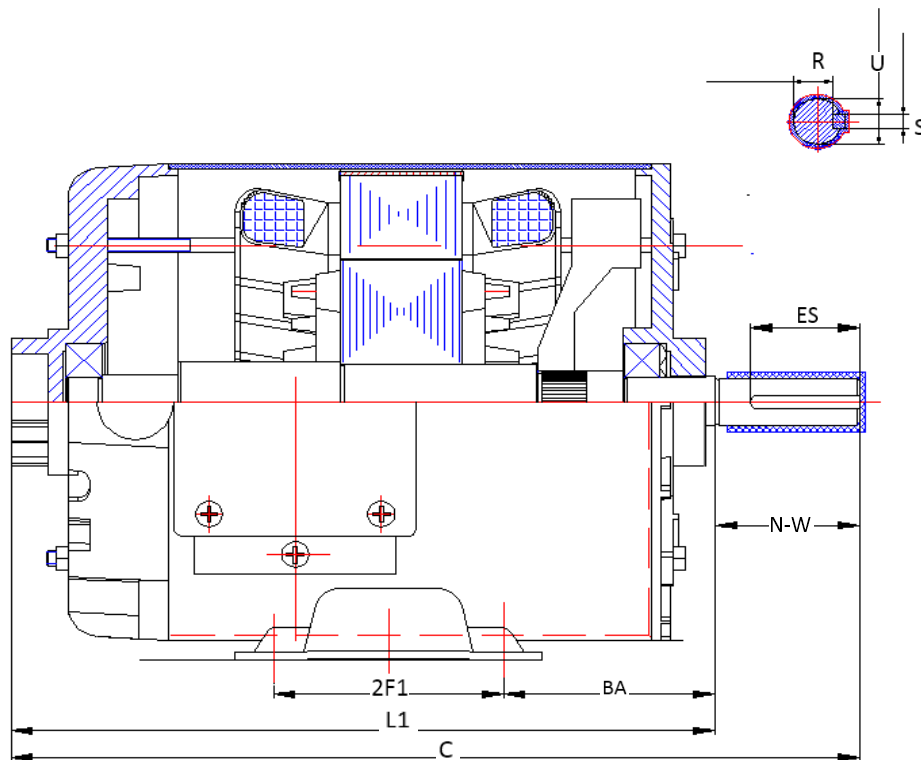
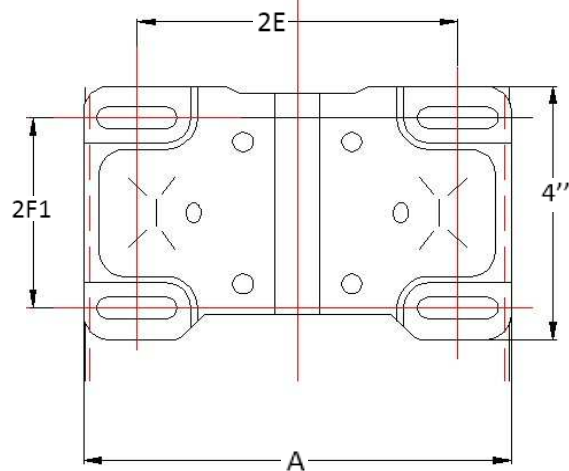
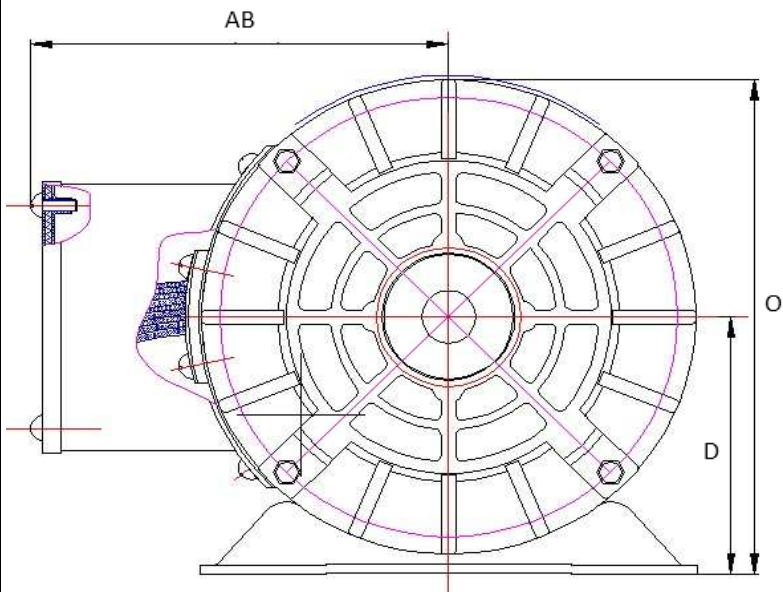
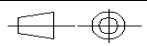


Orientation



Frame	D	2E	E	2F1	H	U	BA	N-W	C
56	3.5"	4.88"	2.44"	3.00"	5.00"	.34"	.625"	2.75"	11.06"
	BF	O	AB	A	R	ES	S	L1	
	4 * 3/8"-16	7.44"	5.47"	6.5"	.517"	1.42"	.188"	9.17"	

HP	RPM	VOLTAGE	FLA	SF	WGT	MLR-124W
1/2	1725	208-230/460	2.2-2/1.0	1.25	22.7	56 Frame 3 Ph Rolled Steel ODP

Revised: Feb. 2015

